

# Flow Rates Peristaltic Pump

3 years warranty

V6-6L

304  
SS Housing



## Features

- Large flow rate, high precision, intelligent control of liquid transferring.
- Servo motor drive, accurate control, strong driving force.
- 304 stainless steel housing, the first choice for high level industrial sites.

## Model Number

V6-6L/DZ25-6L

## Technical Specifications

Flow rate range	0.3~6000 mL/min	Start/stop,direction signal	Passive switch signal, such as foot pedal switch
			Active switch signal: 5V, 12V and 24V for option
		Communication interface	RS232, RS485 support MODBUS protocol (RTU mode)
Speed range	0.1-600 rpm	Output interface	Output motor working status (Open-Collector output)
Speed resolution	0.01 rpm	Power supply	AC 220V±10% 50Hz/60Hz (standard)
Flow rate resolution	0.01 mL		AC 110V±10% 50Hz/60Hz (optional)
Flow rate accuracy	<±0.5%	Drive dimension	283×192×218mm
Back suction angle	0-360°		
Outlet pressure	0.3 Mpa		
Motor type	Servo motor	Drive weight	7.85kg
Display	Industrial grade 4.3" color LCD display	Power consumption	<180W
Control method	Touch screen and Mechanical keypad	Environment temperature	0-40°C
<b>Keypad lifetime</b>	<b>300,000 times</b>	Relative humidity	< 80%
External speed control signal 0-5V,0-10V,4-20mA for option		IP rate	IP31

## Product Composition and Flow Rate Range

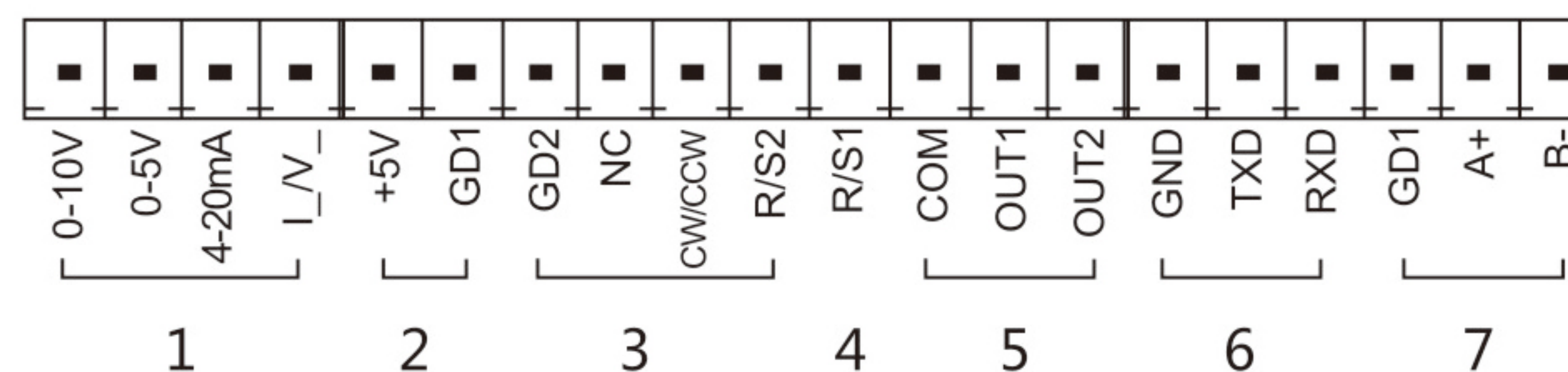
Drive	Motor Type	Pump Head	Tubing Size	Speed Range(rpm)	Flow Rate(mL/min)
V6-6L	Servo Motor	DZ25-6L	15#, 24#, 35#, 36#	0.1-600	0.3~6000



V Series peristaltic pump has various external control interface, can meet different equipment supporting requirements.

#### External control interface definition

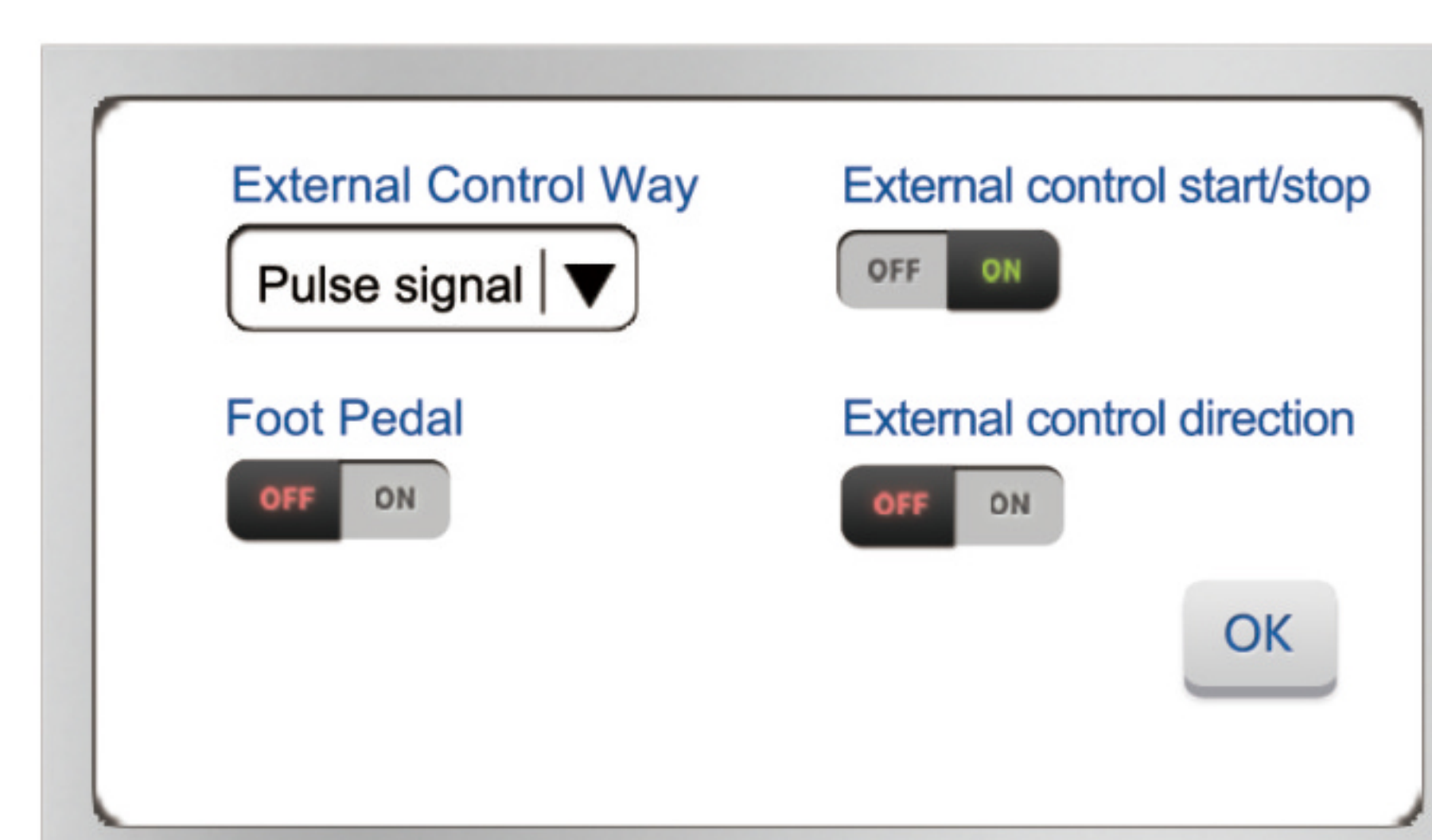
1. Analog signal input port: Choose the external control speed signal from the external control setting interface. Turn on the external control speed function, control the motor speed range through the analog signal.
2. Internal isolation 5VDC output.
3. External control start/stop, direction signal input port: active signal input.
4. R/S1 external control start/stop signal input port: passive signal input.
5. Motor running status output port: output current running status of the motor.
6. RS232 communication interface: choose RS232 in communication setting interface, this port is effective.
7. RS485 communication interface: choose RS485 in communication setting interface, this port is effective.



#### V Series peristaltic pump external control setting interface.

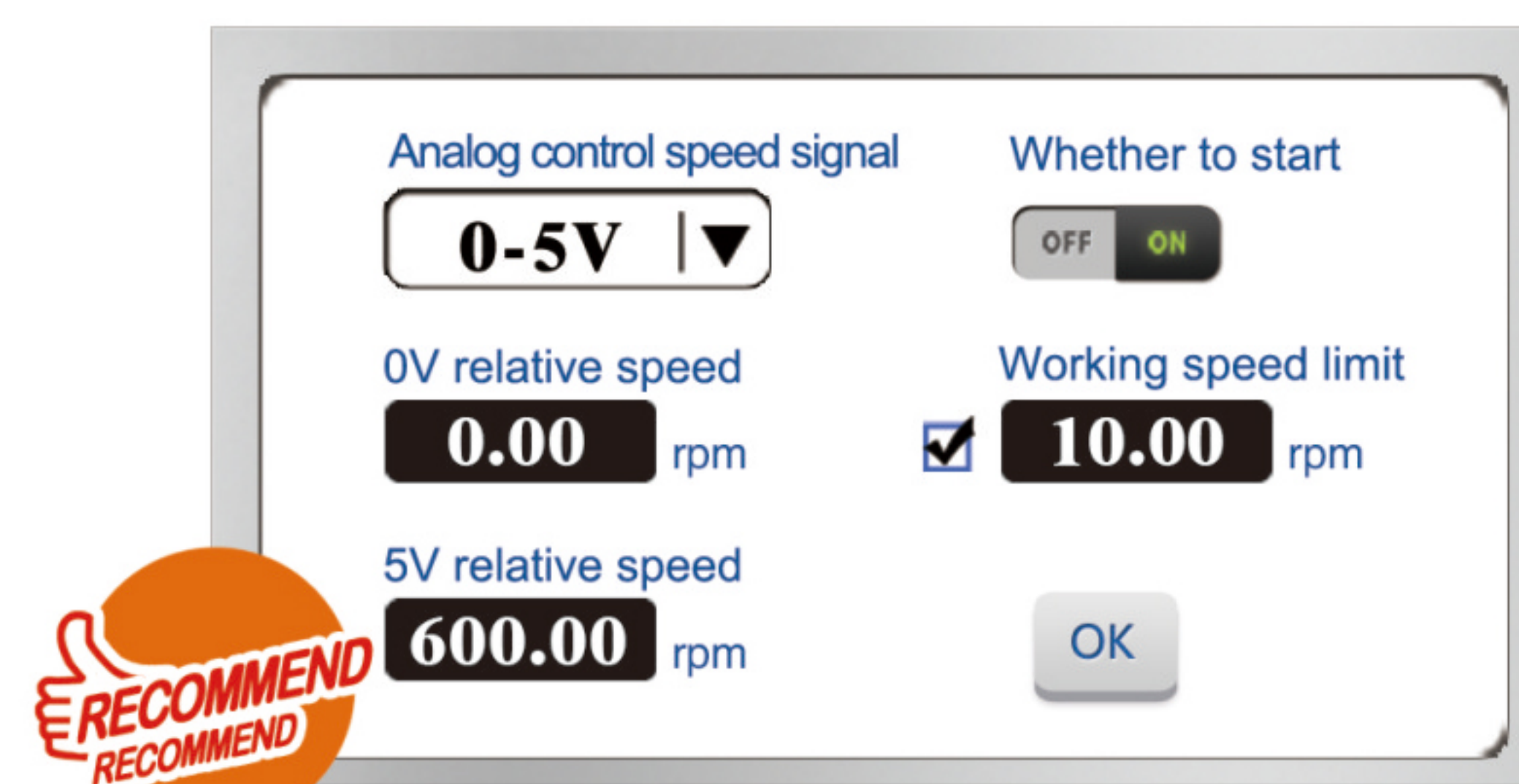
##### Choose external control start/stop, direction signal

1. Can respectively set external control start/stop or reversing switch whether effective or not.
2. Can choose control mode according to requirement: pulse mode or level mode.
3. Can set the foot switch whether effective or not.
4. Can choose switch value signal 's high level values according to customers' main control equipment: 5V(default), 12V, 24V.



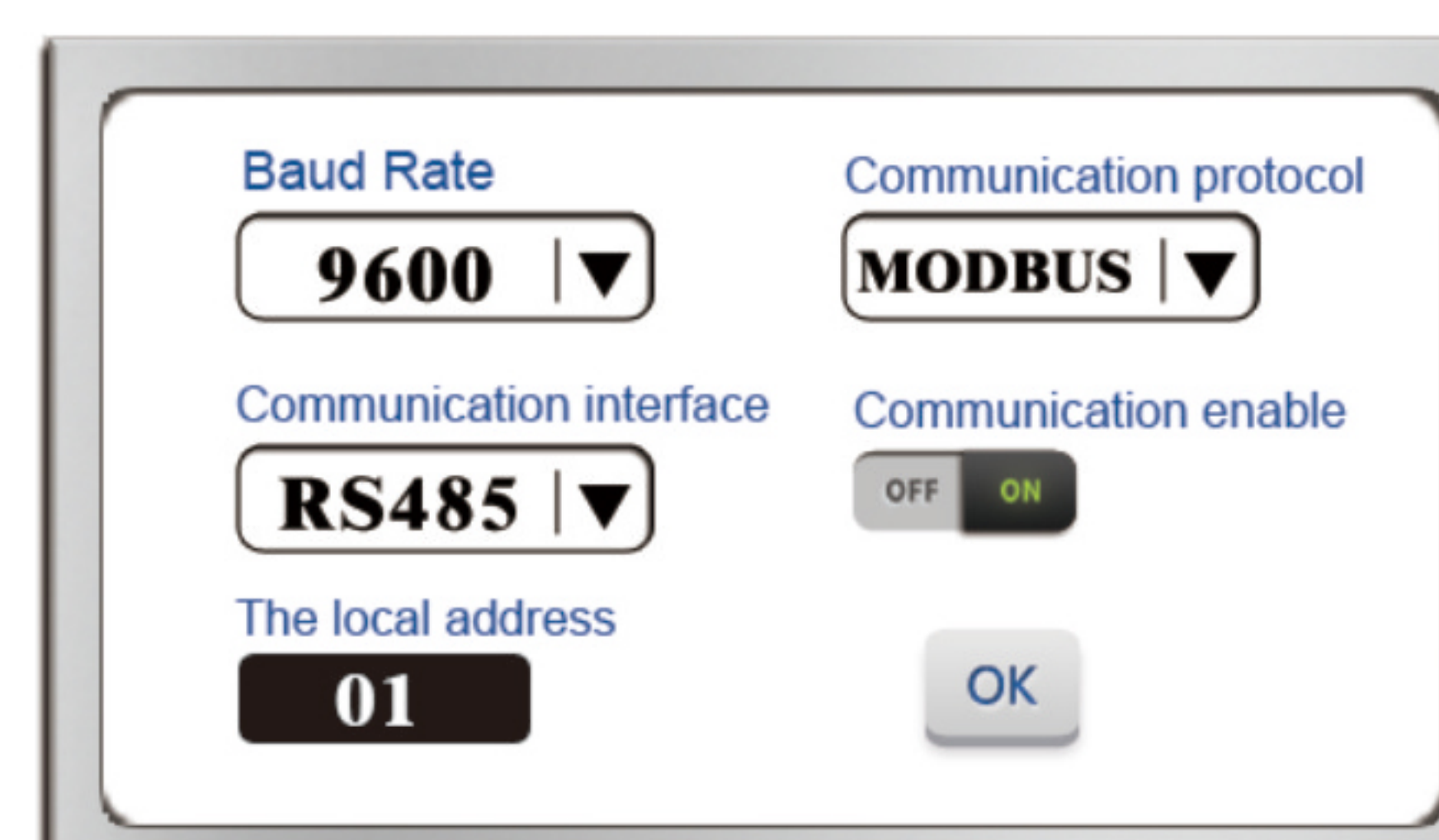
##### Programmable external control speed setting

1. Can choose analog signal source according to requirements: 0-5V, 0-10V, 4-20mA.
2. When the signal source is chosen, can choose maximum speed and minimum speed which corresponding to the signal source's maximum value and minimum value according to actual demand, to reach userdefined rotate speed range purpose.
3. Working speed limit is at the situation that the linear relation of analog quantity signal and rotating speed keeps invariant, set peristaltic pump's maximum working rotate speed. This setting can avoid production accident caused by sudden change of transfer fluid amount with the sudden change of external analog signal.

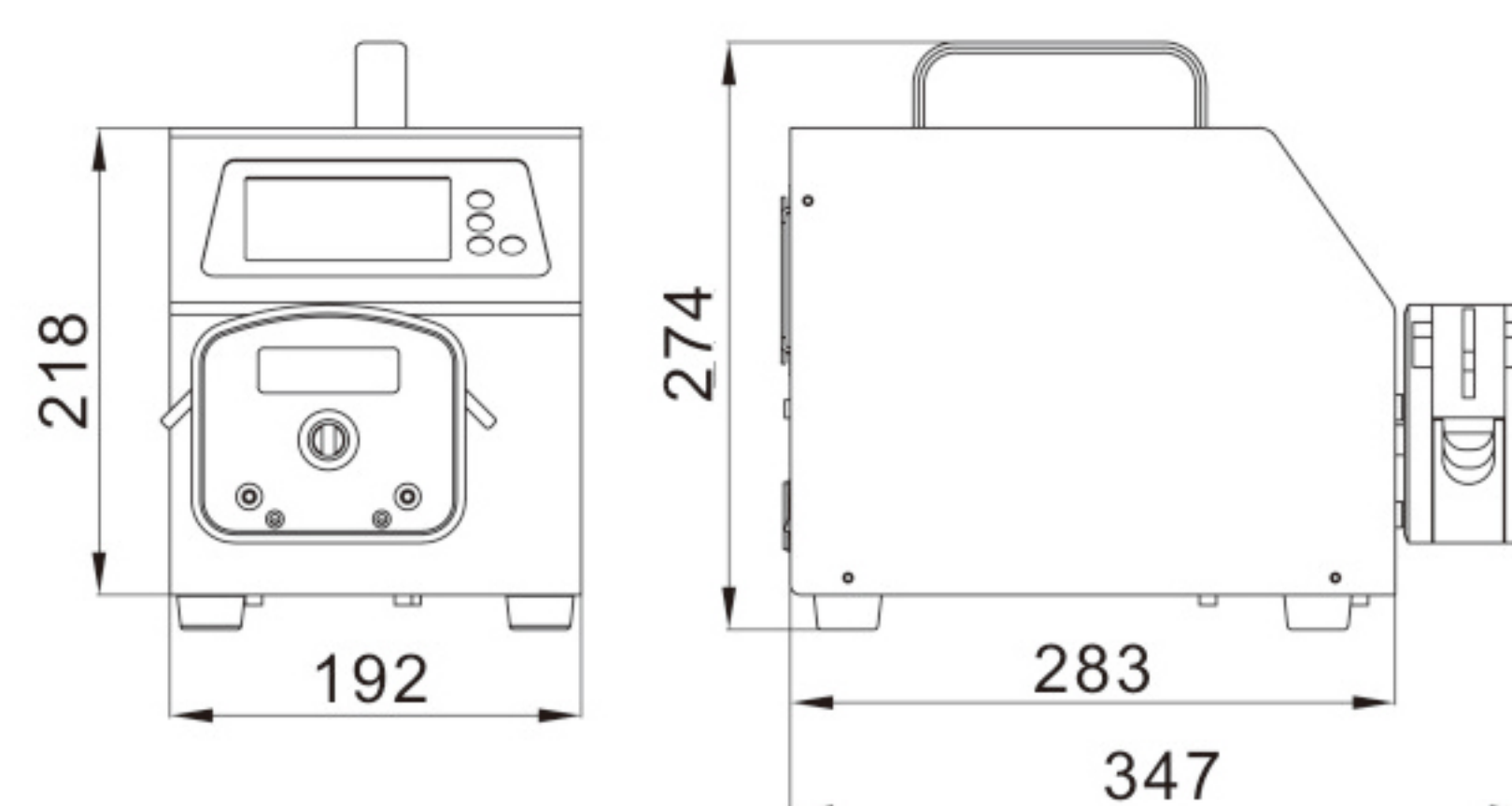


##### Communication setting

1. Support RS232 and RS485 interface, can be chosen in software interface.
2. Support various Baud rate : 2400bps, 4800bps, 9600bps, 19200bps.
3. Can choose standard modbus communication protocol or Shenchen communication protocol to control, modbus communication protocol is suitable to match with industrial site HMI, PLC or other upper computer which support standard modbus communication protocol; Shenchen communication protocol is suitable to match with single chip micro computer or upper computer on computer programme.



## Dimension Drawing (Unit: mm)



V6-6L

